

PNC	Model	Ref.	Page	NOTES
267002	AOS101EAA1	a	2...12	Level/Livello A
267012	AOS101EAH1	g	2...12	Level/Livello A
267022	AOS101EAN1	c	2...12	Level/Livello A
267032	AOS101EAC1	e	2...12	Level/Livello A
267042	AOS101EAE1	n	2...12	Level/Livello A
267052	AOS101EAF1	p	2...12	Level/Livello A
267082	AOS101EAM1	t	2...12	Level/Livello A
267092	AOS101EAB1	u	2...12	Level/Livello A
267102	AOS101EAK1	r	2...12	Level/Livello A
268002	AOS101EBA1	b	2...12	Level/Livello B
268012	AOS101EBH1	h	2...12	Level/Livello B
268022	AOS101EBN1	d	2...12	Level/Livello B
268032	AOS101EBC1	f	2...12	Level/Livello B
268042	AOS101EBE1	o	2...12	Level/Livello B
268052	AOS101EBF1	q	2...12	Level/Livello B
268102	AOS101EBK1	s	2...12	Level/Livello B
269002	AOS101ECA1	i	2...12	Level/Livello C
269012	AOS101ECH1	l	2...12	Level/Livello C
269022	AOS101ECN1	m	2...12	Level/Livello C



PLATON SERVICE  
8 (800) 500-34-41  
www.platonservice.com

Pag	Index	Indice
2	Oven cabinet and door	Cella forno e porta
3	Water system	Impianto idraulico
4	Boiler	Boiler
5	Electrical components	Componenti elettrici
6	Tray support	Struttura portateglie
7-12	Spare parts list	Lista ricambi

Brand/Marchio: Electrolux  
Factory code: 9PDD

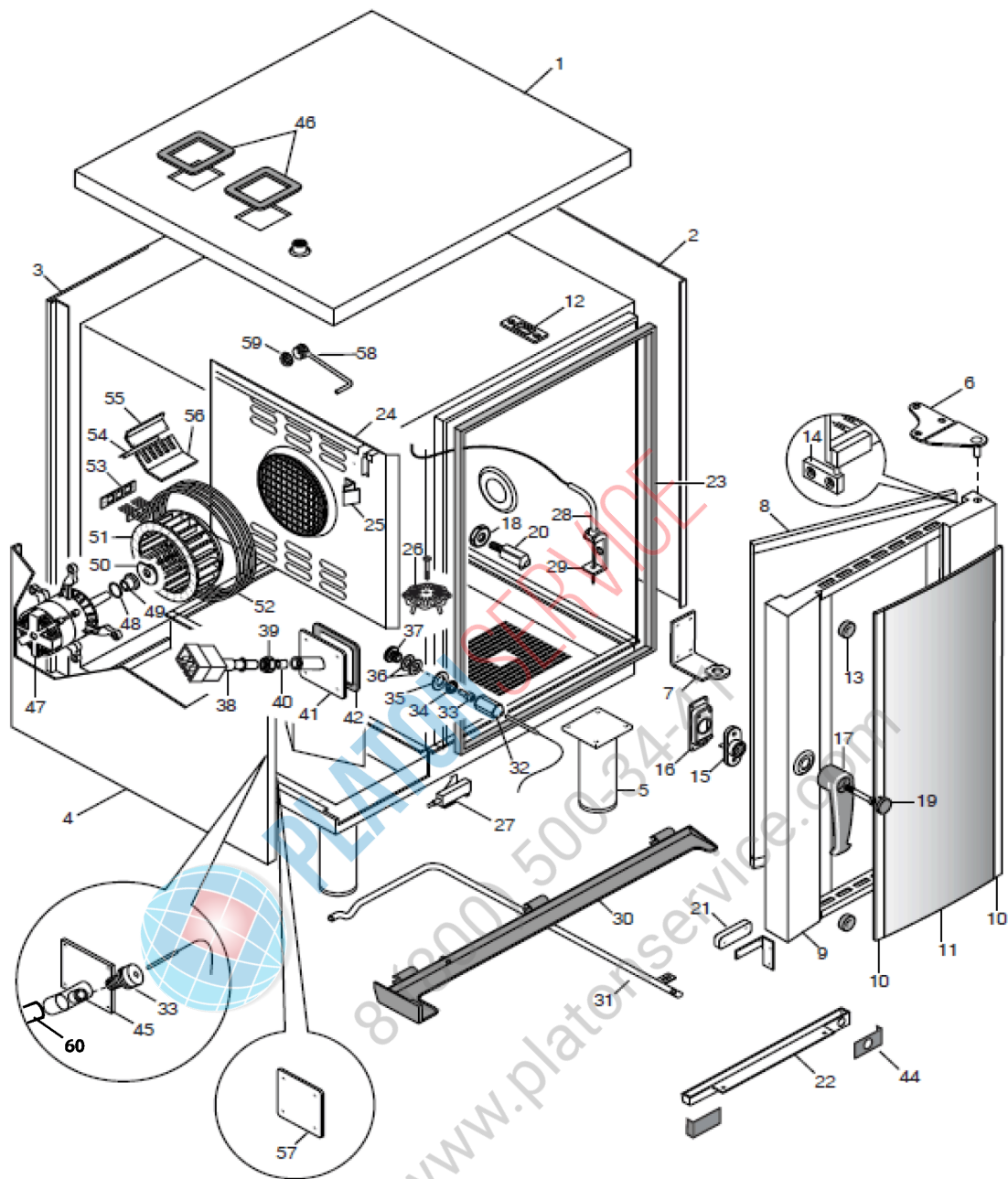
From sr. Nr/ Da Ser. Nr.: \*\*\*

From status level / Da scatto: \*\*

Page: 1

Ed. 2017 01

Doc. Nr.: **3-13602**



From sr. Nr/ Da Ser. Nr.: \*\*\*  
 From status level / Da scatto: \*\*

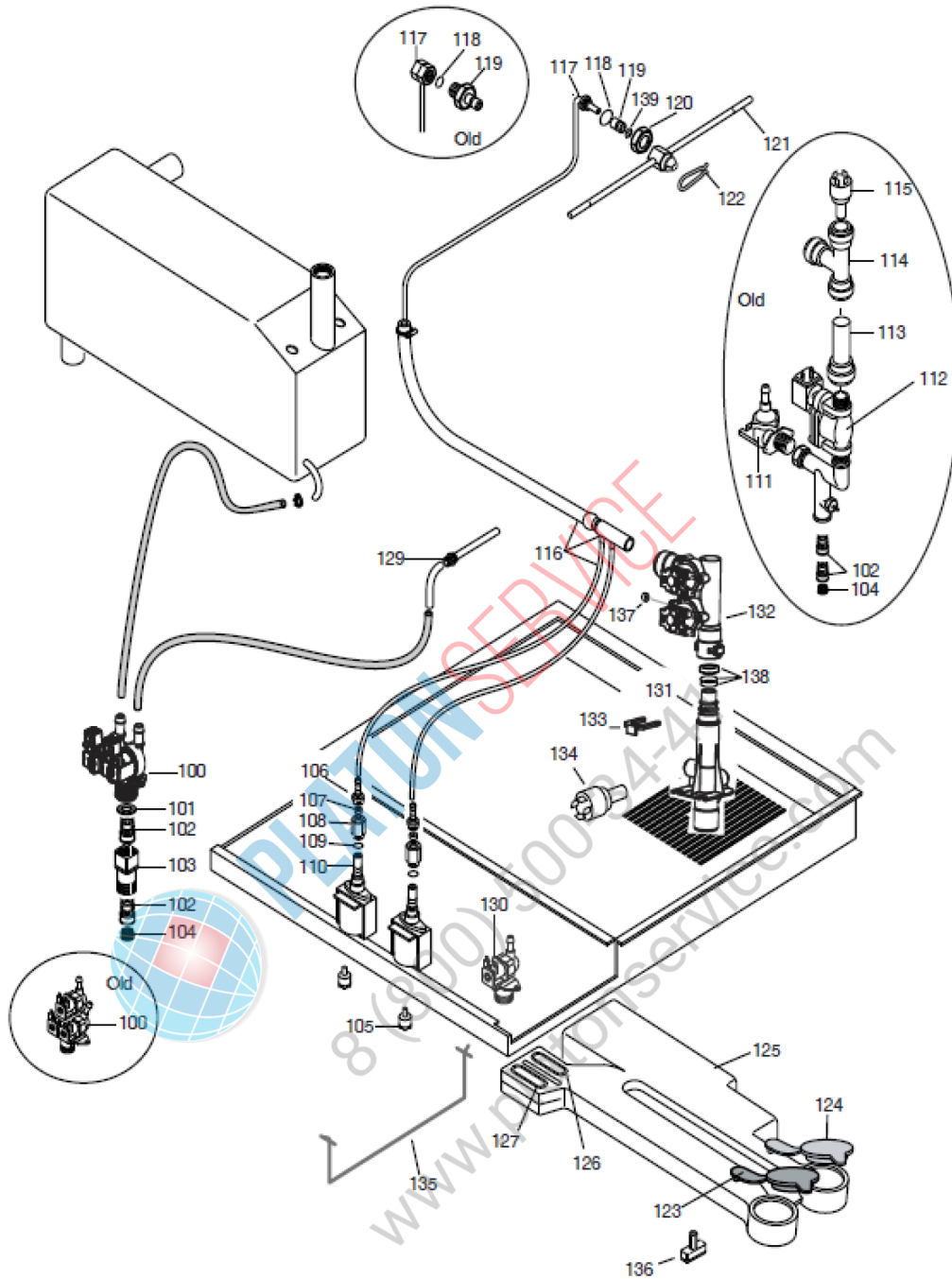
Page: 2

Ed. 2017 01

Doc. Nr.: **3-13602**

??????		267002									
??????		3-13602		???????? 2		Oven cabinet and door					
.		Alias		S			.			(Euro)	
0001	0C4231	0873871102			D			LID; ASSY;AOSQ 6-10 1/1 ELT	Until UP 04		
0001	0C6177	0590831300						LID; ONE 061-101E	Da/from 05	143,10	
0002	0C4232	0870863302						RIGHT SIDE; EST DX AOSQ 061	Until UP 04	1 028,00	
0002	0C6174	0530890900						RIGHT SIDE; ONE 101	Da/from 05	149,20	
0003	0C4084	0522845504						BACK PANEL; AOSQ 061	Until UP 04	118,80	
0003	0C6190	0530892700						BACK PANEL; ONE 101	Da/from 05	106,60	
0004	0C1079	0522854900						LEFT SIDE	Until UP 04	150,20	
0004	0C6196	0530893300						LEFT SIDE; ONE 101	Da/from 05	139,10	
0005	0C4892	0831850900		S				FOOT; 2"	a,m,r,s,t,u	11,46	
0006	0C4234	0806847803		S				PLATE; ASSY,UPPER AOSQ		22,43	
0007	0C4235	0806861600	0C9574					PLATE; ASSY.LOWER 6-10 AOSQ			
0008	0C4470	0873869902		S				DOOR GLASS; ASSY; LW101 AOSQ		90,94	
0009	0C4960	0873858407	0C6601		D			DOOR ASSEMBLY; ONE 101			
0010	0C4476	0806859302		S				PROFILE; EST.LW10 AOSQ		34,92	
0011	0C4471	0574817103	0C8736					CURVED GLASS; EST. LW101 AOSQ			
0012	0C4088	0543839700		S				GASKET		8,13	
0013	006976	0543828001		S				SHOCK ABSORBER		4,33	
0014	007007	0806822000		S				HINGE		16,36	
0015	0C4089	0835871801	0C4477					LOCKING MECHANISM			
0016	0C4237	0510824200		S				SUPPORT; LW06-10 AOSQ		18,98	
0017	0C4090	0548871500		S				HANDLE; LW06-10 AOSQ		13,09	
0018	0C4238	0516896400		S				NUT; FOR CATCH AOSQ		11,72	
0019	0C4091	0546822600		S				PLUG; LW06-10 AOSQ		6,76	
0020	0C4092	0806859900		S				CATCH		35,42	
0021	049627	0699603700		S				MAGNET		9,82	
0022	0C4239	0528869501		S				BOWL; LW06-101 AOSQ		59,68	
0023	0C1477	0831846901		S				DOOR GASKET; 725X450MM		120,80	
0024	0C4619	0830892205						SUCTION WALL; AOSQ 101 ELT		286,20	
0025	0C3423	0518807301						SPRING; SUCTION WALL		19,63	
0026	0C1740	0518808600		S				FILTER		13,26	
0027	049621	0654600000		S	C	+		REED SWITCH		15,00	
0028	0C4240	0831831000		S				CORE PROBE; AOSQ T.C.MULTIPOINT	a,c,e,g,r,t,u	226,30	
0029	0C1505	0527865201						SUPPORT		7,29	
0030	0C4242	0856814000		S				DRIP TRAY; 1/1 AOSQ		19,07	
0031	0C4243	0806858800		S				HOSE		33,19	
0032	006991	0516855300						NUT		22,43	

??????		267002									
??????		3-13602		????????? 2		Oven cabinet and door					
.		Alias		S			.				(Euro)
0034	020997	0214105101		S				LOCK NUT			1,25
0035	002700	0508838701		S				WASHER			3,07
0036	002624	0543816300		S				GASKET; SET 50 PCS			24,16
0037	002623	0516809400		S				PIPE FITTING			10,04
0038	006995	0830891200	0C6465	S		+		LAMBDA PROBE	a,c,e,g,n,p,r,t,u		
0039	050670	0214111412		S				NUT; M20X1,5	a,c,e,g,n,p,r,t,u		9,94
0040	050682	0215170716		S	C			DOUBLE CONE; ØI=12MM	a,c,e,g,n,p,r,t,u		2,02
0041	0C4244	0806857201		S				FLANGE; FOR LAMBDA SONDE	a,c,e,g,n,p,r,t,u		40,09
0042	0C4093	0543838300		S				GASKET			11,09
0044	0C4094	0543841300						GASKET			11,61
0046	007005	0543828901		S				GASKET			6,02
0047	006998	0611806001		S				MOTOR ;190W 230 V 50/60 HZ; 4/6 POLES	a,.....,h,n,o,p,q,r,s		228,40
0048	002873	0543816700		S				O-RING; ØI=MM.28,17X3,53			2,43
0049	002699	0516808902		S				BEARING; FOR MOTOR SHAFT			20,50
0050	0C4138	0538815400		S				FLANGE			5,81
0051	0C1129	0831808400	0C6463					FAN BLADE; ASS.			
0052	007064	0617823801	0C6501					HEATING ELEMENT; 5670W-400V	a,b,g,h,i,l,m,p,q,r,s		
0053	002689	0543816501		S				HEATING ELEMENT GASKET			26,09
0054	006253	0503897402		S				ANGLE			9,19
0055	006256	0503891801		S				BLADE; FOR FIXING HEATING ELEMENT			15,20
0056	0C3830	0527833700		S				SUPPORT			14,58
0060	006248	0140068010		S				PIPE; DIA 26X20, BY METER			28,83



From sr. Nr/ Da Ser. Nr.: \*\*\*  
 From status level / Da scatto: \*\*

Page: 3

Ed. 2017 01

Doc. Nr.: **3-13602**

??????		267002									
??????		3-13602		???????? 3		Water system					
.		Alias		S			.				(Euro)
0100	OC1934	0696805600		S	C			SOLENOID VALVE;V380;230V 50/60HZ;3 WAY	a,h,n,o,p,q,r,s,t,u		62,10
0100	OC5516	0696808300		S				WATER SOLENOID VALVE;2 WAYS/180 2,5L/MIN	a,h,n,o,p,q,r,s,t,u		23,35
0101	OC4096	0543840600		S				FILTER GASKET			1,27
0102	OC2312	0549801800		S				NONRETURN VALVE			5,86
0103	OC2313	0516879400		S				PIPE FITTING	a,h,n,o,p,q,r,s,t,u		29,54
0104	000000										
0105	OC1155	0831811400		S				FILTER	a,c,e,g,i,l,m,n,p,r,s,t,u		15,97
0106	OC4198	0516896101		S				RUBBER HOLDER; G1/4" DIA 4 MM	a,c,e,g,i,l,m,n,p,r,s,t,u		13,30
0107	OC1117	0544809000		S				NONRETURN VALVE	a,c,e,g,i,l,m,n,p,r,s,t,u		6,90
0108	OC1116	0516871900		S				FITTING; RINSE AND DETERGENT PUMPS	a,c,e,g,i,l,m,n,p,r,s,t,u		10,29
0109	OC1935	0543832300		S				O-RING; ØI=6,75X1,78 MM	a,c,e,g,i,l,m,n,p,r,s,t,u		1,02
0110	OC2341	0680801201	OC6947					PUMP	a,c,e,g,i,l,m,n,p,r,s		
0111	OC1933	0696805500		S	C			SOLENOID VALVE; 90°GR 230V 50HZ; 1WAY	a,h,n,o,p,q,r,s,t,u - (until UP. 04)		16,22
0112	OC1148	0696804700		S	C			SOLENOID VALVE; 1/2" 230V 50/60HZ	a,c,e,g,i,l,m,n,p,r,s,t - (until UP. 04)		66,22
0113	OC1149	0544808600		S				END PIECE	a,c,e,g,i,l,m,n,p,r,s,t - (until UP. 04)		11,35
0114	OC1124	0544808500		S				T-FITTING	a,c,e,g,i,l,m,n,p,r,s,t - (until UP. 04)		18,68
0115	OC1126	0646813000		S				WATER PRESSURE SWITCH; 0,2 BAR	a,c,e,g,i,l,m,n,p,r,s,t - (until UP. 04)		35,63
0116	OC4246	0806864300		S		+		WASH MANIFOLD ASSY; AOSQ 061-101	a,c,e,g,i,l,m,n,p,r,s,t		33,70
0117	007009	0806818201						SUPPORT	a,c,e,g,i,l,m,n,p,r,s,t - (until UP. 04)		94,09
0117	OC6031	0806871100		S				DUCT; ASSY	a,c,e,g,i,l,m,n,p,r,s,t,u		41,21
0118	007074	0543828300		S				O-RING; ØI=29,75X3,53 MM	a,c,e,g,i,l,m,n,p,r,s,t,u - (until UP. 04)		3,57
0118	OC4201	0543841400		S				GASKET; 17X22X1,5	a,c,e,g,i,l,m,n,p,r,s,t		2,53
0119	000000	0805400000							a,c,e,g,i,l,m,n,p,r,s,t,u - (until UP. 04)		
0119	OC4467	0516898301		S				BUSHING; FCS 6	a,c,e,g,i,l,m,n,p,r,s,t		10,77
0120	OC4202	0516896000		S				LOCK NUT; INOX M16X1.5X6H	a,c,e,g,i,l,m,n,p,r,s,t,u		5,33
0121	007010	0806823100	OC5503					JET; L=422MM	a,c,e,g,i,l,m,n,p,r,s,t,u		
0122	007026	0518807100		S				SPRING	a,c,e,g,i,l,m,n,p,r,s,t,u		14,25
0123	OC1151	0544808100		S				PLUG BLU	a,c,e,g,i,l,m,n,p,r,s,t,u		3,08
0124	OC1152	0544808200		S				RED CAP	a,c,e,g,i,l,m,n,p,r,s,t,u		2,76
0125	OC4426	0873857102		S				RESERVOIR; ASSY	a,c,e,g,i,l,m,n,p,r,s,t		52,07
0126	OC1154	0544808900		S				WALL RED	a,c,e,g,i,l,m,n,p,r,s,t,u		4,13
0127	OC1153	0544808400		S				WALL BLU	a,c,e,g,i,l,m,n,p,r,s,t,u		4,13
0129	007012	0H22982600		S				PIPE	a,h,n,o,p,q,r,s,t,u		29,64
0131	OC6370	0831857200		S				MANIFOLD; ASSY	a,c,e,g,i,l,m,n,p,r,s,t,u		42,43
0132	OC6374	0696808600			D		PDD2012-17	WATER DISTRIBUTOR; 2 OUTPUP; 230V 50/60H	a,c,e,g,n,p,r,s		100,30
0133	OC6222	0546825100		S				SAFETY DEVICE	a,c,e,g,i,l,m,n,p,r,s,t,u		6,26

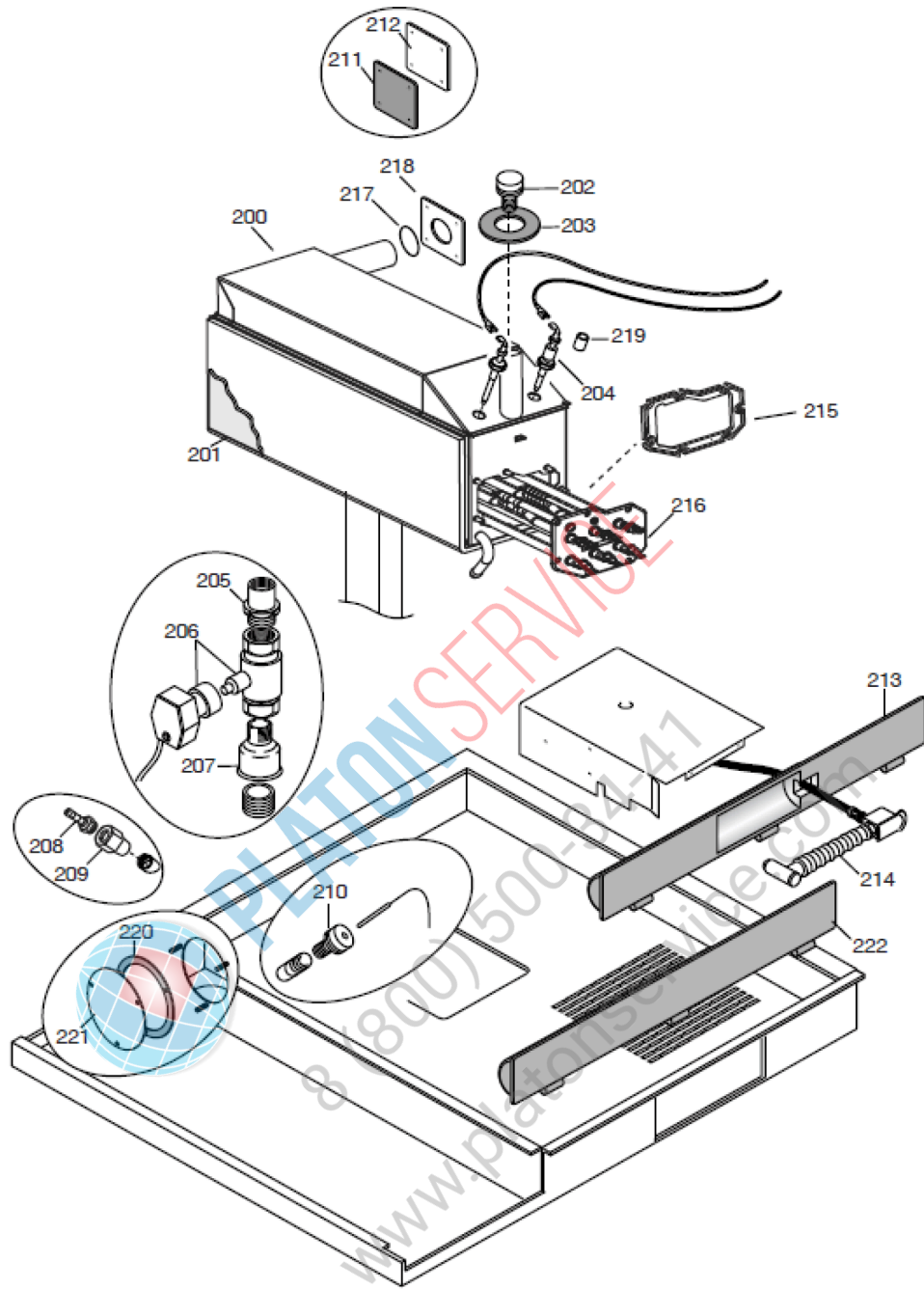
??????	267002								
??????	3-13602	???????? 3	Water system						
.		Alias		S		.			(Euro)
0134	0C6217	0646817200		S			PRESSURE SWITCH; GP600	a,c,e,g,i,l,m,n,p,r,s,t,u	33,50
0135	0C5426	051380500		S			STIRRUP	a,c,e,g,i,l,m,n,p,r,s,t,u	14,15
0136	0C6201	0546824100		S			PIVOT	a,c,e,g,i,l,m,n,p,r,s,t,u	1,02
0137	0C6375			S		Kit	FLOW REDUCER; KIT 4PCS	a,c,e,g,i,l,m,n,p,r,s,t,u	11,67
0138	0C6377			S		Kit	O-RING WITH BUSH; KIT	a,c,e,g,i,l,m,n,p,r,s,t,u	15,60
0139	061303	0219035015		S			RING	a,c,e,f,g	1,02



**PLATON SERVICE**

8 (800) 500-34-41

www.platonservice.com



From sr. Nr/ Da Ser. Nr.: \*\*\*  
 From status level / Da scatto: \*\*

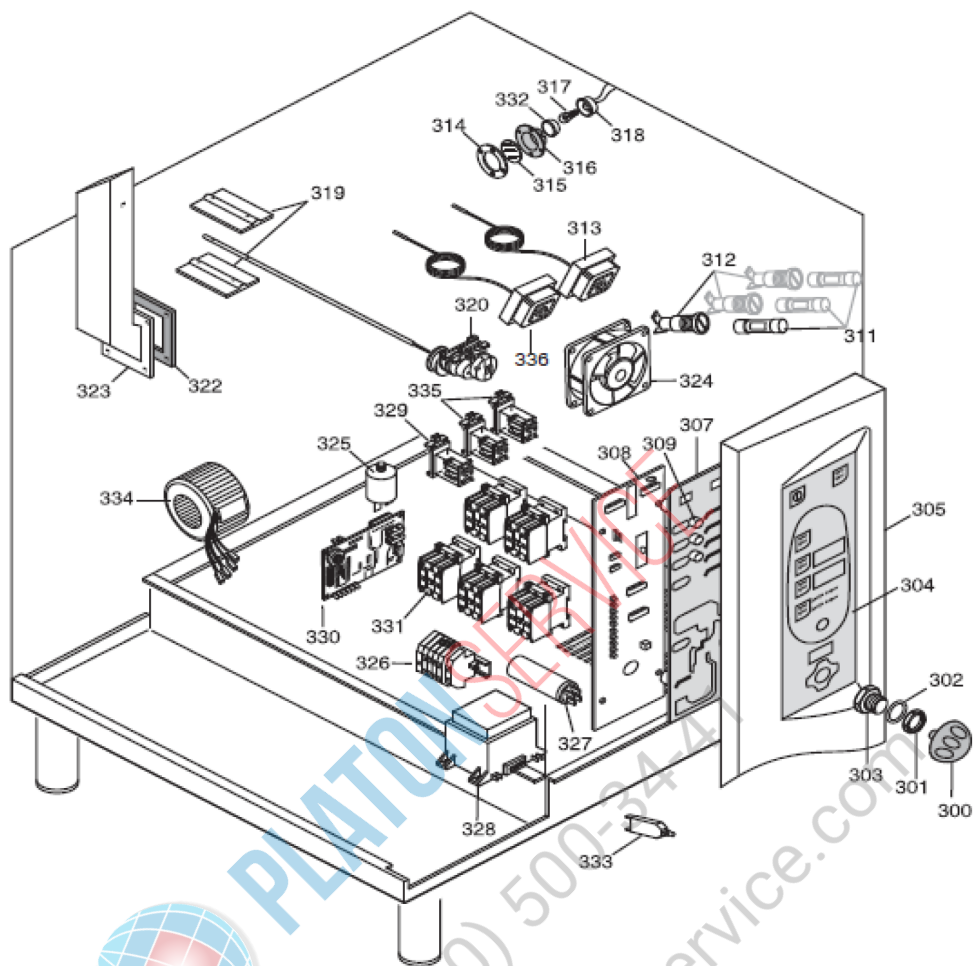
Page: 4

Ed. 2017 01

Doc. Nr.: **3-13602**

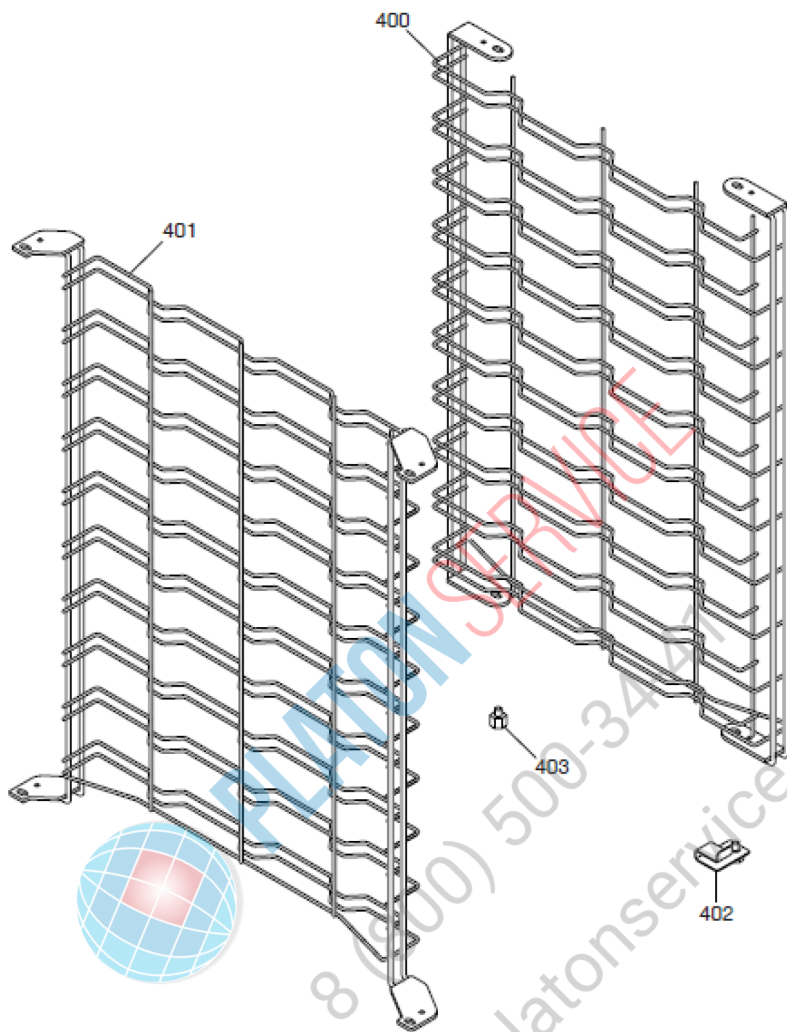


??????		267002									
??????		3-13602		???????? 4		Boiler					
.		Alias		S			.				(Euro)
0200	0C4139	0831841100	0C5374	S		+		BOILER; ASSY;AOSQ 6-10	a,h,n,o,p,q,t,u		
0200	0C5848	0831854700	0C5851					BOILER; ASSY; ELT ONE 6-101	a,h,n,o,p,q,t,u - (see code 216)		
0201	0C4109	0560855300		S				BOILER INSULATION; ELT AOSQ 6 - 10	a,h,n,o,p,q,t,u - (see code 216)	49,74	
0201	0C5836	0560806900						BOILER INSULATION; ELT ONE 061-101	(see code 200)	107,60	
0202	002692	0543816601		S				CAP; DESCALING LOAD IN THE BOILER	a,h,n,o,p,q,t,u	6,76	
0203	002634	0543817500	0C7016					BUFFER	a,h,n,o,p,q,t,u		
0204	007033	0830890500		S		+		LEVEL PROBE; BOILER	a,h,n,o,p,q,r,s,t,u	32,99	
0205	007117	0516809501		S				CONNECTION	a,h,n,o,p,q,r,s,t,u	15,81	
0206	0C0882	0696804201		S				MOTOR-OPERATED VALVE; 3/4" 230V 50/60HZ	a,h,n,o,p,q,r,s,t,u	144,10	
0207	0C3847	0511820300		S				REDUCING SLEEVE; 1"1/4F-3/4"M	a,h,n,o,p,q,r,s,t,u	17,11	
0208	0C1626	0516872000		S				RUBBER HOLDER	a,h,n,o,p,q,r,s,t,u	7,32	
0209	0C4099	0516879600		S				NOZZLE; 1/4"FD3.5-3/8"M	a,h,n,o,p,q,r,s,t,u	18,88	
0210	0C4872	0543842600		S				PLUG; FOR SENSOR	a,c,e,g,n,p,r,t,u	7,29	
0213	0C4532	0546815103						FRONT PANEL; LOWER; 6-10 1/1 AOSQ	a,c,e,g,n,p,r,t,u	92,16	
0214	0C4248	0873881200		S				SHOWER UNIT; AOSQ	a,c,e,g,n,p,r,t,u	257,80	
0215	007029	0543828800		S				O-RING; ØI=56,52X5,34MM	a,h,n,o,p,q,r,s,t,u	6,58	
0215	0C5834	0543844800		S				GASKET; BOILER HEATING ELEMENT	a,h,n,o,p,q,r,s,t,u - (From s/n 917...)	19,69	
0216	007076	0617824202	0C5384			+		HEATING ELEMENT; 17KW 400V	a,b,g,h,p,q - (until s/n 917...)		
0216	0C5840	0617836400		S				HEATING ELEMENT; 400V-17000W	a,b,g,h,p,q - (From s/n 917...)	189,80	
0217	002874	0543816800		S				O-RING; ØI=31,34X3,53 MM	a,h,n,o,p,q,r,s,t,u	3,48	
0218	0C4821	0527898600		S				FLANGE	a,h,n,o,p,q,r,s,t	7,39	
0219	055347	0515857001		S				SPACER; H=11,5MM	a,h,n,o,p,q,r,s,t,u	5,81	
0220	0C3442	0543839600	0C7033					GASKET	a,c,e,g,n,p,r,t,u		
0221	0C3443	0J89061403						WASHER; FOR DOOR	a,c,e,g,n,p,r,t,u	15,84	



PLATON SERVICE  
 8 (800) 500-34-41  
 www.platonservice.com

??????	267002									
??????	3-13602		???????? 5				Electrical components			
.		Alias		S			.			(Euro)
0300	0C3221	0548869900								4,88
0301	051263	0214114900		S						3,80
0302	002727	0508836400		S						1,02
0303	002662	0516807301		S						6,02
0304	007057	0675838203		S					a,c,e,g,n,p,r,t,u	118,80
0305	0C4283	0873879401							a,c,e,g,n,p,r,t,u	347,10
0307	0C0043	0675837902		S					a,c,e,g,n,p,r,t,u	604,00
0308	0C0042	0675837808		S						588,00
0309	002670	0548836902		S						1,02
0311	058771	0652800901							a,h,i,l,m,r,s	
0311	0C2301	0652803900		S					a,h,i,l,m,r,s	1,27
0312	0F0031	0652802100		S					a,h,i,l,m,r,s,t,u	16,08
0313	007042	0646812200		S	C				a,b,s	93,15
0314	002628	0508840801		S						4,01
0315	002627	0574804900		S		+				10,24
0316	002626	0543817202		S		+				15,39
0317	0C4396	0660808300	0C9877	S	C					
0318	007055	0660806401		S						21,72
0319	007081	0508896801								18,98
0320	0C0883	0646812801			D		PDD2012-14		a,b,s	79,37
0322	007053	0543828600		S						19,54
0323	0C4285	0831828500								73,38
0324	0C4106	0624811000		S						37,76
0325	049303	0694605400		S					a,b,s	23,55
0326	0F0112	0639808600		S						28,62
0327	047541	0694604400		S						12,31
0328	0C4460	0624811600	0C6400						a,b,c,d,g,h,i,l,m,r,s	
0329	058557	0648803001	058857						a,h,n,o,p,q,r,s,	
0330	007047	0624807002		S					a,c,e,g,n,p,r,t,u	145,10
0331	006879	0648807400		S	C				a,b,g,h,i,l,n,o	37,68
0331	088447	0648807300	087913						a,b,g,h,i,l,n,o	
0332	000000									
0333	000000									
0334	000000									
0336	0C2983	646814900		S	C				a,h,n,o,p,q,r,s,t,u	82,80



??????	267002									
??????	3-13602		???????? 6				Tray support			
.		Alias		S			.			(Euro)
0400	0C4862	0831849200						CHROME GRID; DX ONE 101	a,b,c,d,e,f,i,m,	119,80
0401	0C4861	0831848900						CHROME GRID; SX ONE 101	a,b,c,d,e,f,i,m,	126,90
0402	0C4961	0806872800		S				SUPPORT		27,51
0403	0C0324	0830898900	0C6538					PROBE; 400 MM		
0403	0C0325	0830899000		S				TEMP.PROBE; THERMOCOUPLE; L=85CM; BOILER		39,89
0403	0C0326	0830899100	0C6539					PROBE; 1200 MM		
0403	0C5620	0511828100		S				BAKING PAN SUPPORT		11,41



PLATON SERVICE

8 (800) 500-34-47

www.platonservice.com